

PRODUCT ENGINEERING SPECIFICATION

Product Name:	<u>8+1 CWDM Mux/Demux ABS Box</u>
Product Number:	<u>NCWDM-08-MD-27-ABS-G-CH2741</u>
Product Description:	<u>8+1 CWDM Mux/Demux</u> <u>8 Wavelength: 1270-1410nm</u> <u>Connector: LC/UPC, 1U 19" Rack</u>

8+1 CWDM Mux/Demux 1U Rack

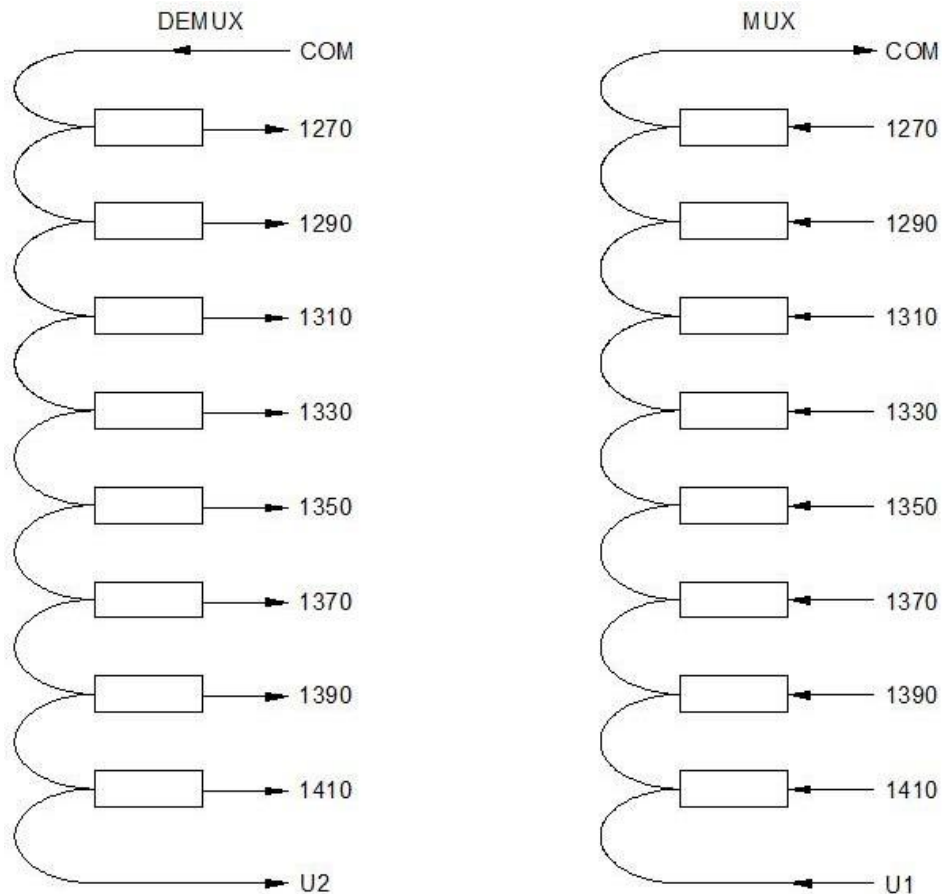
1. Product Description:

Description: 8+1 CWDM Mux/Demux, Fiber Type: SMF-28e, Wavelength: 1470-1610nm, EXP Port: 1430-1610 nm, Package: ABS:141 × 115 × 18, Connector:FC/UPCand LC/UPC.

2. Specifications:

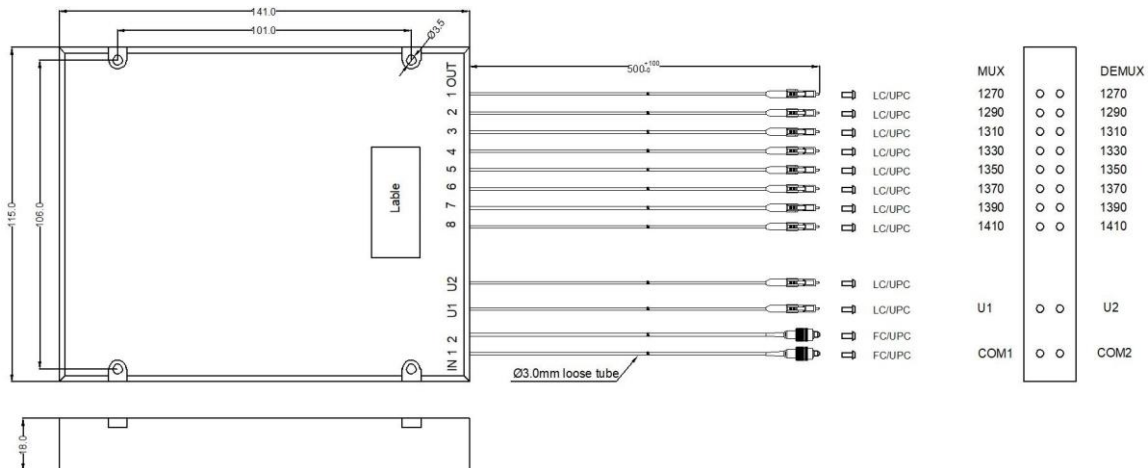
Parameter	Unit	Value
Channel Number	CH	8+1
Operation Wavelength	nm	1260 ~ 1620
Channel Central Wavelength	nm	1270, 1290...1390, 1410
EXP Port Wavelength	nm	1430-1610 nm
Channel Space	nm	20
Channel Passband	nm	$\lambda@ITU\pm 6.5/CWDM$
Passband @-0.5dB	nm	≥ 14
Reflection-band	nm	1260~($\lambda_c-12.5$) & ($\lambda_c+12.5$)~1620
Insertion Loss (Typ.)	dB	2.6
Insertion Loss (Max.)	dB	3.0
Adjacent Channel Isolation	dB	≥ 30
Non-adjacent Channel Isolation	dB	≥ 45
Monitor Channel Isolation	dB	> 15
Passband Ripple	dB	≤ 0.30
Return Loss	dB	≥ 50
Polarization Mode Dispersion (PMD)	ps	≤ 0.20
Polarization Dependent Loss (PDL)	dB	≤ 0.10
Power Handling	mW	< 500
Connector Type	-	COM:FC/UPC OUT:LC/UPC
Operation Temperature	°C	-20 ~ +85
Storage Temperature	°C	-40 ~ +85
Pigtail Type	mm	3.0
Fiber Type	--	SMF-28E
Fiber length	m	0.5
Package Dimension	mm	ABS:141×115×18
Note: The above parameter is without connector. If with connector, IL will increase by 0.3dB		

3. Optical Path Diagram



Part Number	Mux Port	Demux Port
NCWDM-08-MD-27-ABS-G-CH2741	1270nm	1410nm
	1290nm	1390nm
	1310nm	1370nm
	1330nm	1350nm
	1350nm	1330nm
	1370nm	1310nm
	1390nm	1290nm
	1410nm	1270nm

4. Outline Drawing (unit: mm):



5. Label Diagram:



6. Test Report:

The test report should be provided when the products are delivered. Following characteristic test data should be included:

- Insertion Loss (Port1-Port8)
- Adjacent Channel Isolation
- Isolation
- PDL

7. Packaging:

Following items should be indicated on the outer packaging surface:

Product Name

Product Number

Serial Number (SN bar code)

