

## Features:

- Support multi protocol from 9.95Gb/s to 11.3Gb/s
- Hot pluggable 30 pin connector
- Compliant with XFP MSA
- Transmission distance of 40km over single mode fiber



## Description:

- CWDM EML laser transmitter.
- Duplex LC connector
- 2-wire interface for management and diagnostic monitor
- XFI electrical interface with AC coupling
- Power supply voltages: +3.3V, +5V
- Temperature range 0°C to 70°C
- Power dissipation: <3.5W
- RoHS Compliant

## Applications:

- CWDM Networks
- SONET OC-192/SDH STM-64
- 10GBASE-ER/EW Ethernet
- 40km 10G Fiber Channel

NXC-xx192-04CD Small Form Factor 10Gb/s (XFP) transceivers are compliant with the current XFP Multi-Source Agreement (MSA) Specification. The high performance cooled CWDM EML transmitter and high sensitivity PIN receiver provide superior performance for SONET/SDH and Ethernet applications up to 40km optical links.

## Absolute Maximum Ratings

Parameter	Symbol	Min	Max	Unit
Storage Temperature	T <sub>ST</sub>	-40	+85	°C
Case Operating Temperature	T <sub>IP</sub>	0	+70	°C
Supply Voltage 1	V <sub>CC3</sub>	-0.5	+4.0	V
Supply Voltage 2	V <sub>CC5</sub>	-0.5	+6.0	V

## Electrical Characteristics (Condition: T<sub>OP</sub> = 0 to 70 °C)

Parameter	Symbol	Min	Typ	Max	Unit	Note
Supply Voltage 1	V <sub>CC5</sub>	4.75		5.25	V	
Supply Voltage 2	V <sub>CC3</sub>	3.13		3.45	V	
Supply Current – V <sub>CC5</sub> supply	I <sub>CC5</sub>			200	mA	
Supply Current – V <sub>CC3</sub> supply	I <sub>CC3</sub>			550	mA	
Module total power	P			3.5	W	
<b>Transmitter</b>						

Input differential impedance	R <sub>in</sub>		100		Ω	1	
Differential data input swing	V <sub>in,pp</sub>	150		820	mV		
Transmit Disable Voltage	V <sub>D</sub>	2.0		V <sub>cc</sub>	V		
Transmit Enable Voltage	V <sub>EN</sub>	GND		GND+0.8	V		
Transmit Disable Assert Time	T <sub>off</sub>			100	ms		
Tx Enable Assert Time	T <sub>on</sub>			100	ms		
<b>Receiver</b>							
Differential data output swing	V <sub>out,pp</sub>	300	500	850	mV		
Data output rise time	t <sub>r</sub>			35	ps	2	
Data output fall time	t <sub>f</sub>			35	ps	2	
LOS Fault	V <sub>LOS fault</sub>	V <sub>cc</sub> – 0.5		V <sub>ccHOST</sub>	V	3	
LOS Normal	V <sub>LOS norm</sub>	GND		GND+0.5	V	3	
Power Supply Rejection	PSR	See Note 4 below					4

**Note:**

1. After internal AC coupling.
2. 20 – 80 %
3. Loss Of Signal is open collector to be pulled up with a 4.7k – 10kohm resistor to 3.15 – 3.6V. Logic 0 indicates normal operation; logic 1 indicates no signal detected.
4. Per Section 2.7.1. in the XFP MSA Specification.

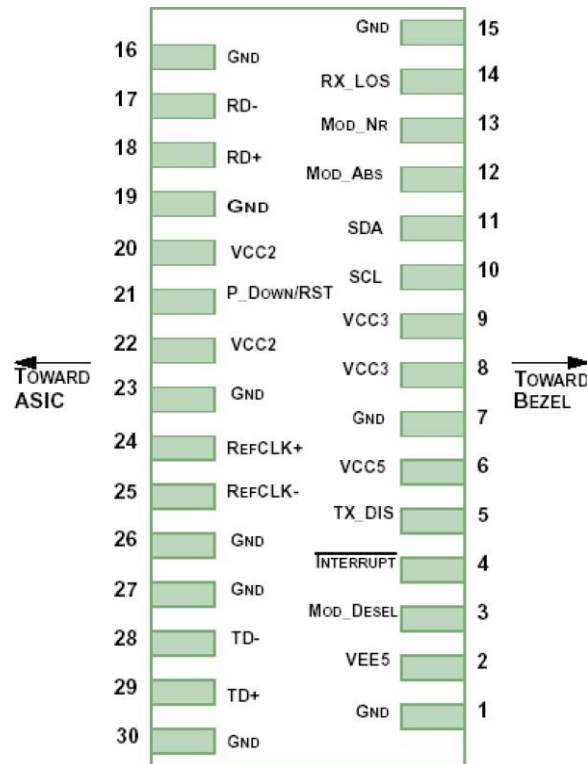
**Optical Characteristics (Condition: T<sub>OP</sub> = 0 to 70°C)**

Parameter	Symbol	Min	Typ	Max	Unit	Ref.	
<b>Transmitter</b>							
Operating Date Rate	B	9.95		11.3	Gb/s		
Bit Error Rate	BER			10 <sup>-12</sup>			
Output Power	P <sub>o</sub>	-1		+5	dBm	1	
Optical Wavelength	λ	λ-6.5		λ+6.5	nm		
Optical Extinction Ratio	ER	8.2			dB		
Spectral Width	Δλ			1	nm		
Side mode Suppression ratio	SMSR <sub>min</sub>	30			dB		
Rise/Fall Time (20%~80%)	T <sub>r</sub> /T <sub>f</sub>			35	ps		
Average Launch power of OFF Transmitter	P <sub>OFF</sub>			-30	dBm		
Tx Jitter	T <sub>xj</sub>	Compliant with each standard requirements					
Optical Eye Mask		IEEE802.3ae					2
<b>Receiver</b>							
Operating Date Rate	BR	9.95		11.3	Gb/s		
Receiver Sensitivity	Sen			-16	dBm	2	
Maximum Input Power	P <sub>MAX</sub>	0			dBm	2	
Optical Center Wavelength	λ <sub>c</sub>	1260		1600	nm		
Receiver Reflectance	R <sub>rx</sub>			-27	dB		
LOS De-Assert	LOS <sub>D</sub>			-17	dBm		
LOS Assert	LOS <sub>A</sub>	-27			dBm		
LOS Hysteresis	LOS <sub>H</sub>	0.5		5	dB		

**Notes:**

1. The optical power is launched into SMF.
2. Measured with a PRBS 2<sup>31</sup>-1 test pattern @10.3125Gbps BER<10<sup>-12</sup>.

## Pin Assignment:



**Diagram of Host Board Connector Block Pin Numbers and Name**

## Pin Description:

Pin	Logic	Symbol	Name/Description	Ref.
1		GND	Module Ground	1
2		VEE5	Optional -5.2 Power Supply – Not required	
3	LVTTL-I	Mod-Desel	Module De-select; When held low allows the module to , respond to 2-wire serial interface commands	
4	LVTTL-O	<u>Interrupt</u>	Interrupt (bar); Indicates presence of an important condition which can be read over the serial 2-wire interface	2
5	LVTTL-I	TX_DIS	Transmitter Disable; Transmitter laser source turned off	
6		VCC5	+5 Power Supply	
7		GND	Module Ground	1
8		VCC3	+3.3V Power Supply	
9		VCC3	+3.3V Power Supply	
10	LVTTL-I	SCL	Serial 2-wire interface clock	2
11	LVTTL-I/O	SDA	Serial 2-wire interface data line	2
12	LVTTL-O	Mod_Abs	Module Absent; Indicates module is not present. Grounded in the module.	2
13	LVTTL-O	Mod_NR	Module Not Ready;	2
14	LVTTL-O	RX_LOS	Receiver Loss of Signal indicator	2
15		GND	Module Ground	1
16		GND	Module Ground	1
17	CML-O	RD-	Receiver inverted data output	
18	CML-O	RD+	Receiver non-inverted data output	
19		GND	Module Ground	1
20		VCC2	+1.8V Power Supply – Not required	

21	LVTTTL-I	P_Down/RST	Power Down; When high, places the module in the low power stand-by mode and on the falling edge of P_Down initiates a module reset	
			Reset; The falling edge initiates a complete reset of the module including the 2-wire serial interface, equivalent to a power cycle.	
22		VCC2	+1.8V Power Supply – Not required	
23		GND	Module Ground	1
24	PECL-I	RefCLK+	Reference Clock non-inverted input, AC coupled on the host board – Not required	3
25	PECL-I	RefCLK-	Reference Clock inverted input, AC coupled on the host board – Not required	3
26		GND	Module Ground	1
27		GND	Module Ground	1
28	CML-I	TD-	Transmitter inverted data input	
29	CML-I	TD+	Transmitter non-inverted data input	
30		GND	Module Ground	1

#### Note

1. Module circuit ground is isolated from module chassis ground within the module.
2. Open collector; should be pulled up with 4.7k – 10k ohms on host board to a voltage between 3.15V and 3.6V.
3. A Reference Clock input is not required .

### Digital Diagnostic Functions:

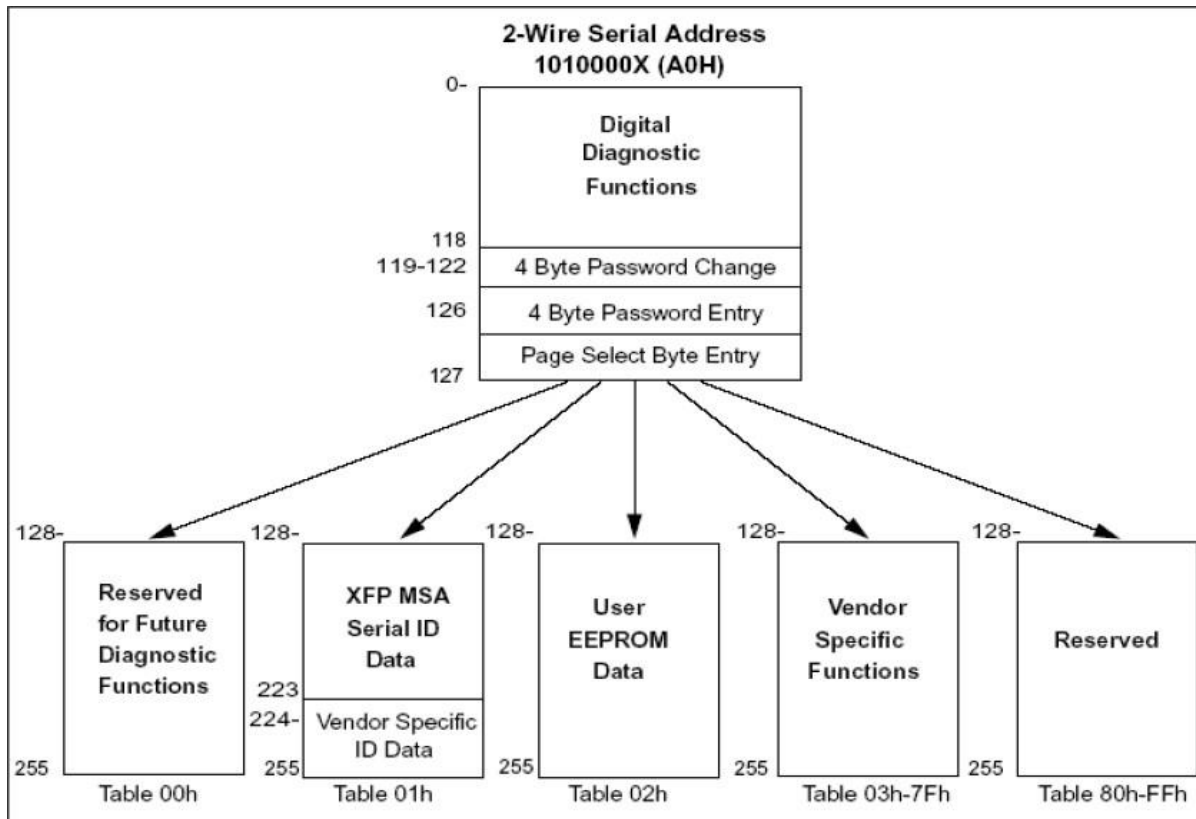
As defined by the XFP MSA 1 , XFP transceivers provide digital diagnostic functions via a 2-wire serial interface, which allows real-time access to the following operating parameters:

- Transceiver temperature
- Laser bias current
- Transmitted optical power
- Received optical power
- Transceiver supply voltage

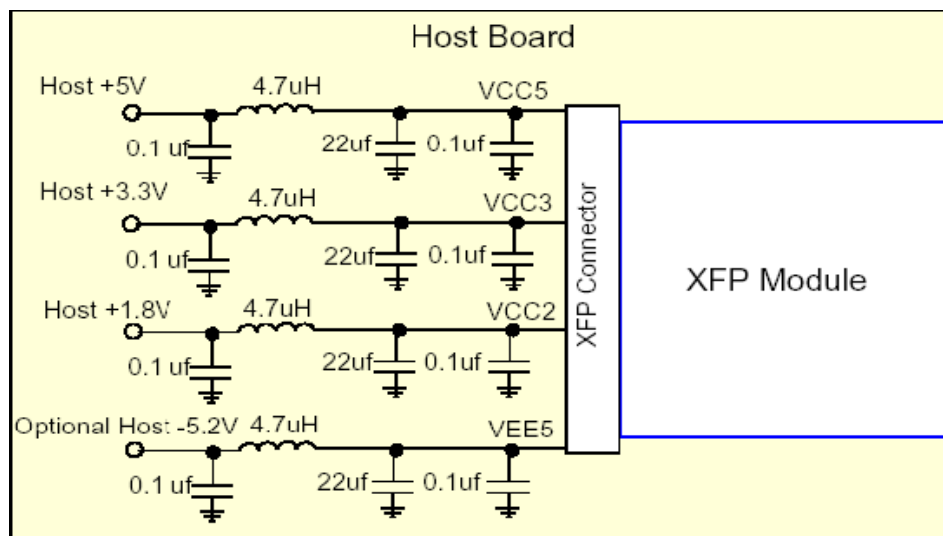
It also provides a sophisticated system of alarm and warning flags, which may be used to alert end-users when particular operating parameters are outside of a factory-set normal range.

The operating and diagnostics information is monitored and reported by a Digital Diagnostics Transceiver Controller (DDTC) inside the transceiver, which is accessed through the 2-wire serial interface. When the serial protocol is activated, the serial clock signal (SCL pin) is generated by the host. The positive edge clocks data into the XFP transceiver into those segments of its memory map that are not write-protected. The negative edge clocks data from the XFP transceiver. The serial data signal (SDA pin) is bi-directional for serial data transfer. The host uses SDA in conjunction with SCL to mark the start and end of serial protocol activation. The memories are organized as a series of 8-bit data words that can be addressed individually or sequentially. The 2-wire serial interface provides sequential or random access to the 8 bit parameters, addressed from 000h to the maximum address of the memory.

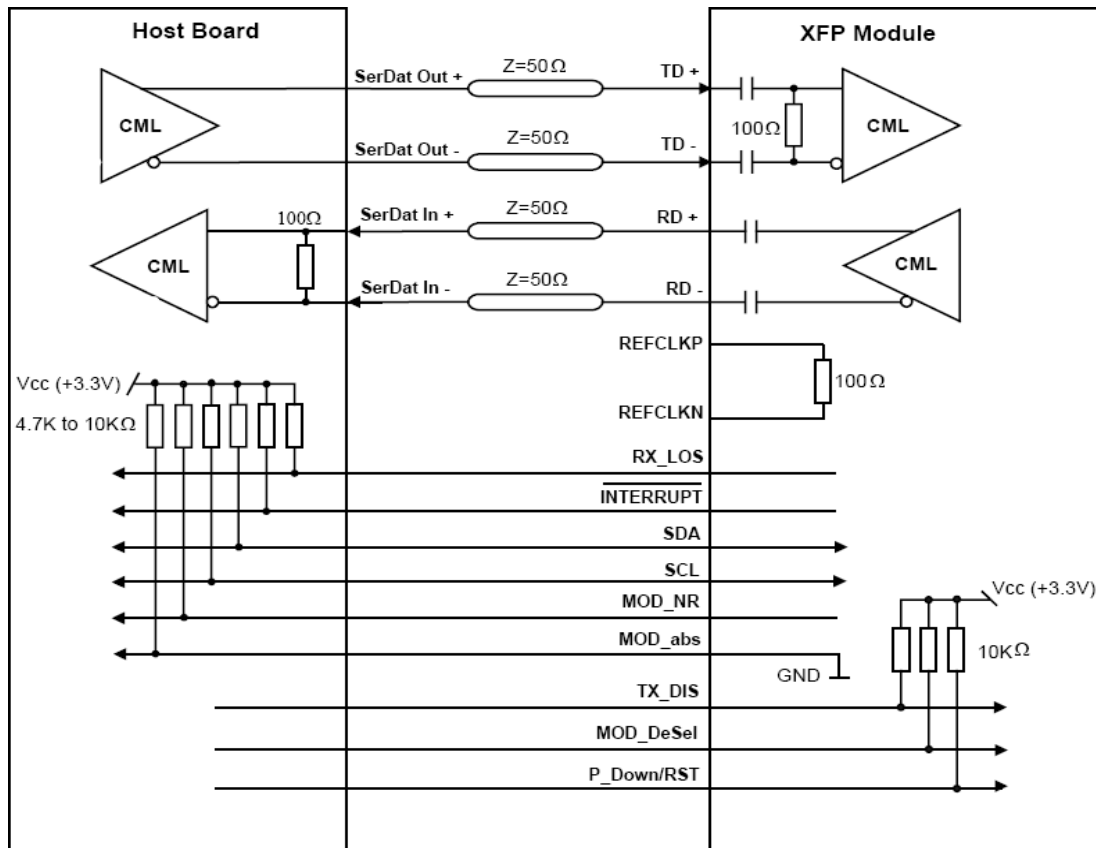
For more detailed information including memory map definitions, please see the XFP MSA Specification.



### Recommended Circuit:

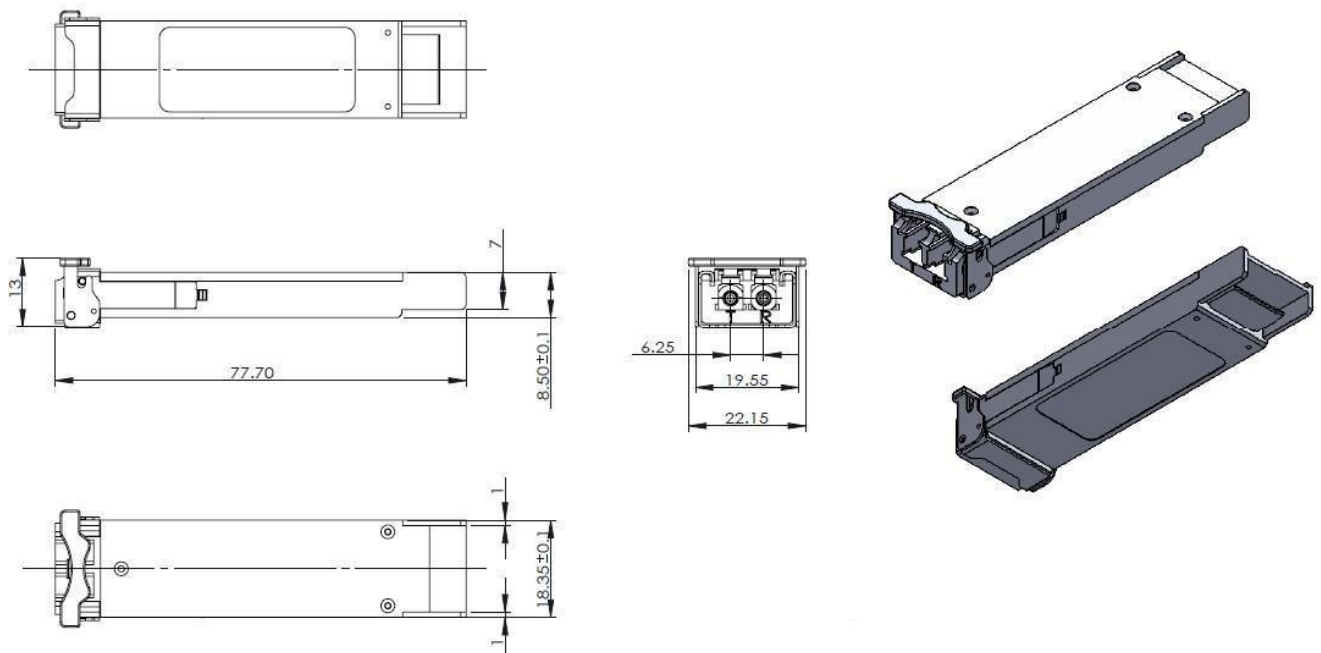


**Recommended Host Board Power Supply Circuit**



Recommended High-speed Interface Circuit

### Mechanical Dimensions:



### Order Information:

In the Part No. of NXC-xx192-04CD, xx stands for central wavelength, such as:

47: for 1470nm, 49: for 1490nm, 51: for 1510nm.....61: for 1610nm.