

Features

Compliant with QSFP28 Standard and 50GBASE-LR: SFF-8665 Revision 1.9, SFF-8636 Revision 2.9

Compliant with IEEE802.3 50GAUI-2 C2M electrical interface

Bi-directional application

Single 3.3V Supply Voltage

Maximum power consumption 3.5W

0-70 °C Case Operating Temperature

DML laser and PIN Receiver

QSFP28 MSA package with single LC connector

Two Wire Serial Interface with Digital Diagnostic Monitoring

Complies with EU Directive 2011/65/EU (RoHS compliant)

Class 1 Laser



Absolute Maximum Ratings

Table 1 – Absolute Maximum Ratings

Parameter	Symbol	Min.	Typical	Max.	Unit	Notes
Storage Temperature	T _s	-40	-	+85	°C	
Supply Voltage	V _{CC}	-0.5	-	3.6	V	
Relative Humidity (non-condensing)	RH	5	-	85	%	

Recommended Operating Conditions

Table 2 – Recommended Operating Conditions

Parameter	Symbol	Min.	Typical	Max.	Unit	Notes
Operating Case Temperature	T _{OPR}	0	-	70	°C	
Power Supply Voltage	V _{CC}	3.135	3.3	3.465	V	
Instantaneous peak current at hot plug	I _{CC_IP}	-	-	1400	mA	Per pin
Sustained peak current at hot plug	I _{CC_SP}	-	-	1155	mA	Per pin
Maximum Power Dissipation	P _D	-	-	3.5	W	
Maximum Power Dissipation, Low Power Mode	P _{DLP}	-	-	1.5	W	
		-	26.5625	-	GBaud/s	
Data Rate	DRL	-	26.5625x2	-	Gbit/s	
Two Wire Serial Interface Clock Rate	-	-	-	400	kHz	
Power Supply Noise Tolerance	-	-	-	66	mVpp	
Rx Differential Data Output Load	-	-	100	-	ohms	
Operating Distance	-	2	-	1000 0	m	

Optical and Electrical Characteristics

Table 3 – Transmitter Optical Specifications

Parameter	Symbol	Min.	Typical	Max.	Unit	Notes
Wavelength	λ_A	1264.5	1271	1277.5	nm	1
	λ_B	1324.5	1331	1337.5	nm	2
Side-mode suppression ratio	SMSR	30			dB	
Average launch power	P_{OUT}	-4.5	-	4.2	dBm	
Average launch power of OFF transmitter	P_{OUT_OFF}	-	-	-30	dBm	
Outer Optical Modulation Amplitude (OMA _{outer})	P_{OUTL}	-1.5	-	4	dBm	
Extinction ratio	ER	3.5	-	-	dB	
Launch power in OMA _{outer} minus TDECQ	OMA-TDECQ	-2.9	-	-	dBm	
Transmitter and dispersion eye closure for PAM4 (TDECQ)	TDECQ	-	-	3.2	dB	3
Spectrum wavelength	λ_{-20}	-	-	1	nm	
Optical return loss tolerance	ORLT	-	-	15.6	dB	
RIN _{15.6OMA}	RIN	-	-	-132	dB/Hz	
Transmitter reflectance		-	-	-26	dB	

Note:

1. For NQS-S50-L10-2733;
2. For NQS-S50-L10-3327;
3. Measured with a PRBS2¹⁵-1 test pattern @53.125Gbps, 10km fiber.

Table 4 – Receiver Optical Specifications

Parameter	Symbol	Min.	Typical	Max.	Unit	Notes
Wavelength	λ_A	1324.5	1331	1337.5	nm	1
	λ_B	1264.5	1271	1277.5	nm	2
Receiver sensitivity (OMA _{outer})				max(-8.4; SECQ – 9.8)	dBm	3,4
Stressed receiver sensitivity (OMA _{outer})	-	-	-	-6.6	dBm	
Conditions of stressed receiver sensitivity test:						
Stressed eye closure for PAM4 (SECQ)	-	-	-	3.2	dB	
Damage Threshold	P_{damage}	5.2	-	-	dBm	
Average Receive Power	-	-10.8	-	4.2	dBm	
Receive power (OMA _{outer})	OMA	-	-	4	dBm	
Receiver Reflectance	RXR	-	-	-26	dB	
LOS assert	LOSA	-30			dBm	
LOS de-assert	LOSD			-11	dBm	
LOS hysteresis	LOSH	0.5			dB	

Note:

For NQS-S50-L10-2733;

For NQS-S50-L10-3327;

Measured with a PRBS2³¹-1 test pattern @53.125Gbps, BER \leq 2.4E-4.

IEEE 802.3cd clause 139 equation 139-2.

Table 5 – Electrical Specifications

High-Speed Signal: Compliant to 50GAUI-2 C2M (IEEE 802.3cd) **Low-Speed Signal:**
Compliant to SFF-8679

Transmitter (Module Input)						
Parameter	Symbol	Min.	Typical	Max.	Unit	Notes
Differential Data Input Amplitude	V _{IN,P-P}	-	-	900	mVpp	Note 1
Differential Termination Mismatch		-	-	10	%	
LPMODE, Reset and ModSelL	V _{IL}	-0.3	-	0.8	V	
	V _{IH}	2	-	V _{CC} +0.3	V	
Receiver (Module Output)						
Differential Data Output Amplitude	V _{OUT,P-P}	-	-	900	mVpp	Note 1
Differential Termination Mismatch		-	-	10	%	
Output Rise/Fall Time, 20%~80%	T _R	12	-	-	ps	
ModPrsL and IntL	V _{OL}	0	-	0.4	V	I _{OL} =4mA
	V _{OH}	V _{CC} -0.5	-	V _{CC} +0.3	V	I _{OL} =-4mA

Note 1: Amplitude customization beyond these specs is dependent on validation in customer system.

Table 6 – Digital Diagnostics

Parameter	Range	Accuracy	Unit	Calibration
Temperature	0 to 70	±3	°C	Internal
Voltage	0 to V _{CC}	±3%	V	Internal
Tx Bias Current	0 to 100	±10%	mA	Internal
Tx Output Power	-4.5 to 4.2	±3	dB	Internal
Rx Power	-10.8 to 4.2	±3	dB	Internal

Table 7 – Control and status timing requirement

Item	symbol	Min	Max	Unit
Initialization time	t_init		10	s
Reset Init Assert Time	t_reset_init	10		us
Serial Bus Hardware Ready Time	t_serial		2	s
Monitor Data Ready Time	t_data		2	s
Reset Assert Time	t_reset		10	s
LPMode Assert Time	ton_LPMode		100	ms
LPMode De-assert Time	toff_LPMode		10	s
IntL Assert Time	ton_IntL		200	ms
IntL Deassert Time	toff_IntL		500	us
Rx LOS Assert Time	ton_los		100	ms
Flag Assert Time	ton_flag		200	ms
Mask Assert Time	ton_mask		100	ms
Mask Deassert Time	toff_mask		100	ms
Power_over-ride or Power-set Assert Time	ton_Pdown		100	ms
Power_over-ride or Power-set Deassert Time	toff_Pdown		10	s

Table 8 – Squelch and disable timing

Item	symbol	Min	Max	Unit
Rx Squelch Assert Time	ton_Rxsq		15	ms
Rx Squelch Deassert Time	toff_Rxsq		350	ms
Tx Squelch Assert Time	ton_Txsq		400	ms
Tx Squelch Deassert Time	toff_Txsq		400	ms
Tx Disable Assert Time	ton_txdis		100	ms
Tx Disable Deassert Time	toff_txdis		400	ms
Rx Output Disable Assert Time	ton_rxdis		100	ms
Rx Output Disable Deassert Time	toff_rxdis		350	ms
Squelch Disable Assert Time	ton_sqdis		100	ms
Squelch Disable Deassert Time	toff_sqdis		100	ms

Table 9 – Pin Definitions

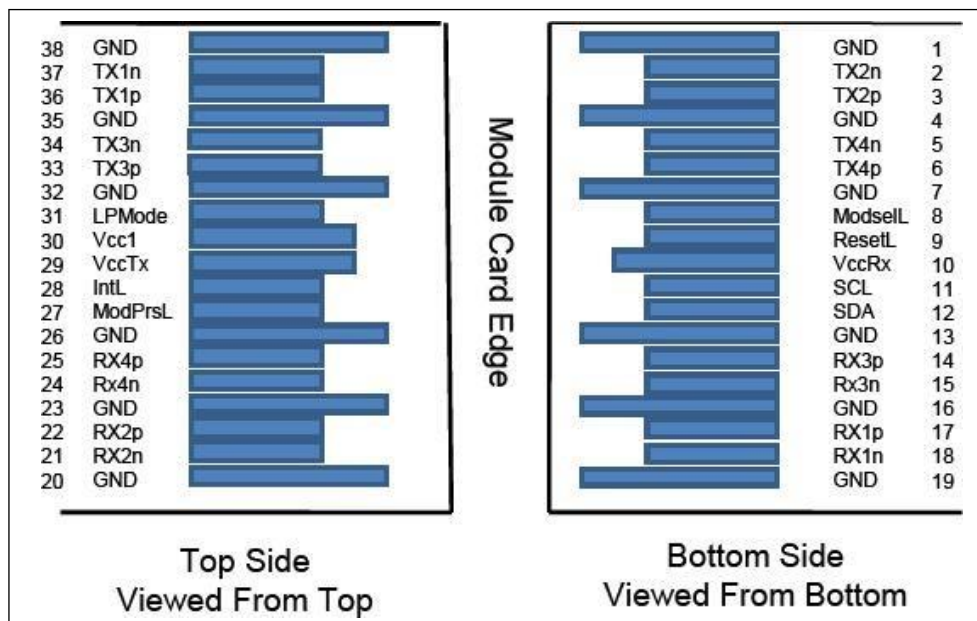
Pin	Logic	Symbol	Description	Plug Sequence	Notes
1		GND	Ground	1	1
2	CML-I	Tx2n	Transmitter Inverted Data Input	3	
3	CML-I	Tx2p	Transmitter Non-Inverted Data Input	3	
4		GND	Ground	1	1
5	CML-I	Tx4n	Transmitter Inverted Data Input	3	3
6	CML-I	Tx4p	Transmitter Non-Inverted Data Input	3	3
7		GND	Ground	1	1
8	LVTTL-I	ModselL	Module Select	3	
9	LVTTL-I	ResetL	Module Reset	3	
10		Vcc Rx	+3.3V Power Supply Receiver	2	2
11	LVCMSO-I/O	SCL	2-wire serial interface clock	3	
12	LVCMSO-I/O	SDA	2-wire serial interface data	3	
13		GND	Ground	1	1
14	CML-O	Rx3p	Receiver Non-Inverted Data Output	3	3
15	CML-O	Rx3n	Receiver Inverted Data Output	3	3
16		GND	Ground	1	1
17	CML-O	Rx1p	Receiver Non-Inverted Data Output	3	
18	CML-O	Rx1n	Receiver Inverted Data Output	3	
19		GND	Ground	1	1
20		GND	Ground	1	1
21	CML-O	Rx2n	Receiver Inverted Data Output	3	
22	CML-O	Rx2p	Receiver Non-Inverted Data Output	3	
23		GND	Ground	1	1
24	CML-O	Rx4n	Receiver Inverted Data Output	3	3
25	CML-O	Rx4p	Receiver Non-Inverted Data Output	3	3
26		GND	Ground	1	1
27	LVTTL-O	ModPrsL	Module Present	3	
28	LVTTL-O	IntL	Interrupt	3	
29		Vcc Tx	+3.3V Power supply transmitter	2	2
30		Vcc1	+3.3V Power supply	2	2
31	LVTTL-I	LPMODE	Low Power Mode	3	
32		GND	Ground	1	1
33	CML-I	Tx3p	Transmitter Non-Inverted Data Input	3	3
34	CML-I	Tx3n	Transmitter Inverted Data Input	3	3
35		GND	Ground	1	1
36	CML-I	Tx1p	Transmitter Non-Inverted Data Input	3	
37	CML-I	Tx1n	Transmitter Inverted Data Input	3	
38		GND	Ground	1	1

Note 1: GND is the symbol for signal and supply (power) common for the QSFP+ module. All are common within the QSFP+ module and all module voltages are referenced to this potential unless otherwise noted. Connect these directly to the host board signal-common ground plane.

Note 2: Vcc Rx, Vcc1 and Vcc Tx are the receiver and transmitter power supplies and shall be applied concurrently.

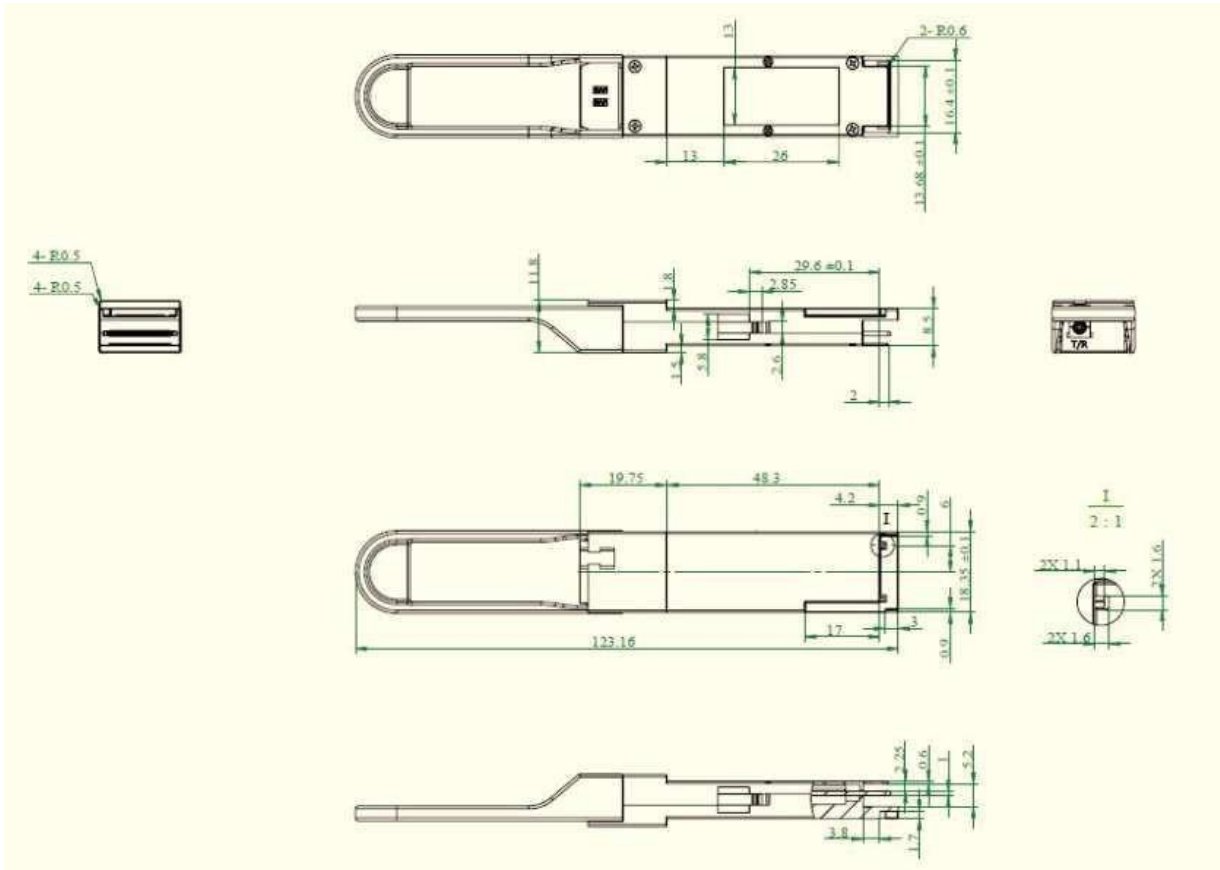
Note 3: Not used.

QSFP28 Module Pad Layout



Recommended Host Board Power Supply Filtering

Mechanical Diagram



Order Information

Part No.	Application	Data Rate	Laser Source	Fiber Type
NQS-S50-L10-3327	50GBASE-LR	53.125 Gb/s	DML Laser	SMF
NQS-S50-L10-2733	Bi-direction			