

NPP-PC250-XXC_30AWG_26AWG

Features:

- Up to 25Gb/s data rate
- Operating case temperature of 0~70 °C
- Single 3.3V supply voltage
- Hot pluggable
- RoHS compliant
- Supports IEEE 802.3by
- SFF-8402 compliant Tested in an end-to end system



Applications:

- 25 Gigabit Ethernet Switch
- Switches, Routers and HBAs
- Date Center

Description:

The NPP-PC250-XXC_30AWG_26AWG passive copper cable is a high speed, cost-effective 25Gbp/s Ethernet connectivity solution designed to meet the growing needs for higher bandwidth in datacenters. The NPP-PC250-XXC_30AWG_26AWG passive copper cable contains a single high-speed copper pair, operating at data rates of up to 25 Gb/s. The cables are compliant with IEEE P802.3by Ethernet standard and SFF-8402 SFP28 standard. Each SFP28 connector comprises an EEPROM providing product information which can be read by the host system.

● Recommended Operating Environment:

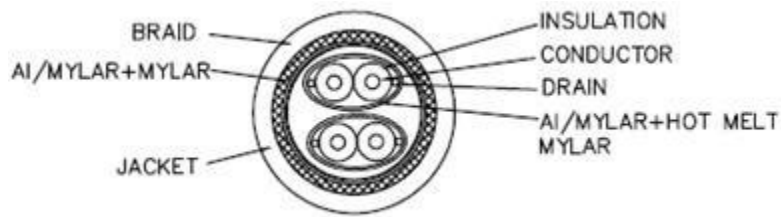
| Parameter | Symbol | Min. | Typical | Max. | Unit |
|----------------------------|------------------|------|---------|------|------|
| Storage Temperature | | -40 | | +85 | °C |
| Operating Case Temperature | T _c | 0 | | +70 | °C |
| Power Supply Voltage | V _{CC3} | 3.14 | 3.3 | 3.47 | V |

● Electrical Specifications

| Parameter | Minimum | Typical | Maximum | Units |
|--------------------------|---------|---------|---------|-------|
| Characteristic Impedance | 90 | 100 | 110 | Ω |
| Time Delay | --- | --- | 4.5 | ns/m |

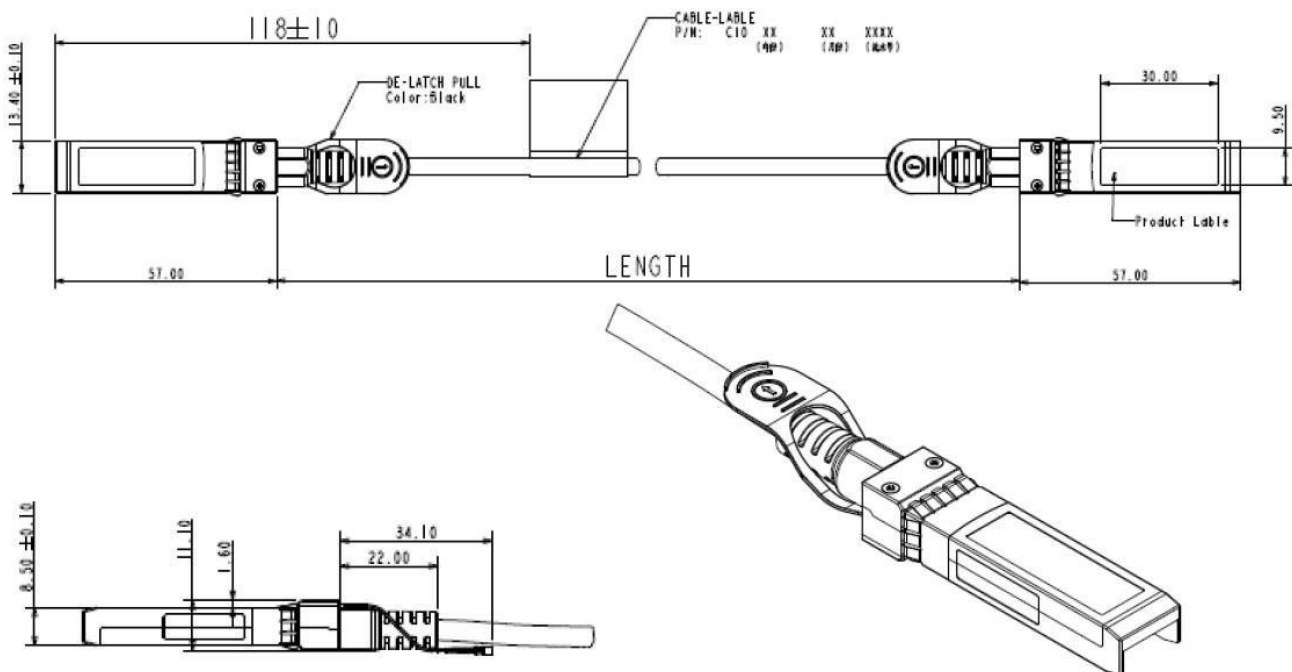
● Bulk Cable Characteristics

The structure of the cable is shown as the figure , the characteristics of the bulk cable are listed below.



- ✧ Voltage rating: 30V
- ✧ Temperature rating: 80 °C;
- ✧ Impedance: Differential mode: 100 +10/-5 ohm @TDR;
- ✧ Delay Skew (INTRA-SKEW): 50ps/5m max;
- ✧ Signal Twin-ax pair cable: Solid Ag plated copper conductor;
- ✧ Braid shielding coverage 85% min.
- ✧ Jacket material: LSZH or PVC

● Mechanical Dimensions



● Ordering information

| Part Number | Description |
|---------------------|--------------------------------------------------------------|
| NPP-PC250-XXC/30AWG | SFP+ Passive Direct Attach Copper Cable Assembly, x (x=1~3m) |
| NPP-PC250-XXC/26AWG | SFP+ Passive Direct Attach Copper Cable Assembly, x (x=1~3m) |