

# PRODUCT ENGINEERING SPECIFICATION

<b>Product Name:</b>	<u>NCWDM-04-MD-49-LGX-1310</u>
<b>Product Description:</b>	<u>4 Channel CWDM Mux/Demux</u> <u>4 Wavelength: 1490-1550nm</u> <u>Monitor Port:1310nm</u> <u>Connector: LC/UPC,</u> <u>LGX Box: 215*200*20mm</u>



## 4+1CH CWDM Mux/Demux LGX Module

### 1. Product Description:

**Part Number:** NCWDM-04-MD-49-LGX-1310

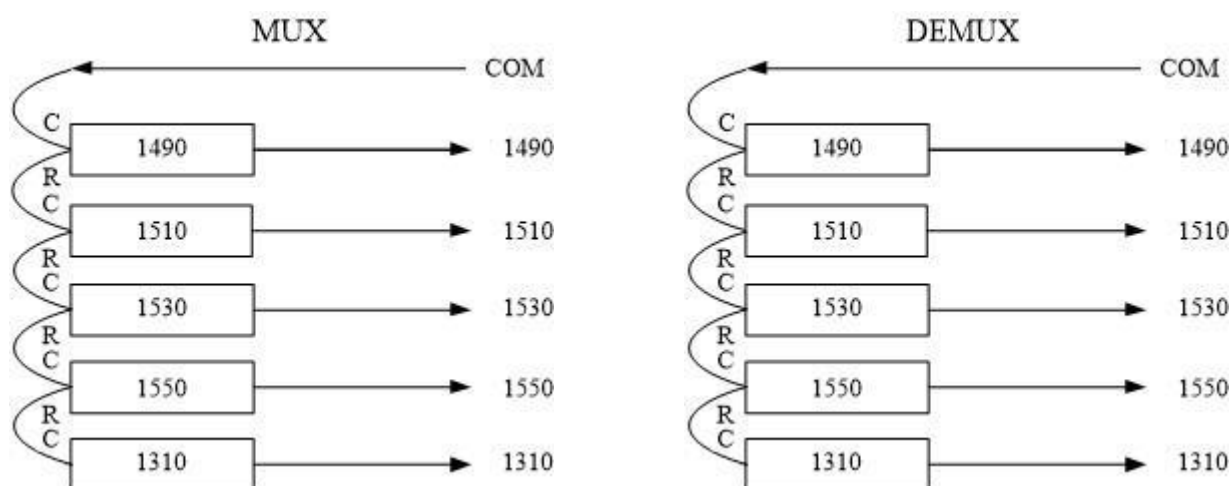
**Description:** 4+1CH CWDM Mux/Demux, Fiber Type: SMF-28e Duplex Fiber, Wavelength: 1490-1550nm, Monitor:1310nm,Package: LGX Box: 215\*200\*20mm, Connector: LC/UPC.

### 2. Specifications:

Parameter	Unit	Value
Channel Number	CH	4+1
Operation Wavelength	nm	1490 ~ 1550
Channel Central Wavelength	nm	1490, 1510,1530, 1550
Channel Space	nm	20
Channel Passband	nm	$\lambda@ITU\pm 6.5/CWDM$
Passband @-0.5dB	nm	$\geq 14$
Reflection-band	nm	$1480\sim(\lambda_c-12.5) \& (\lambda_c+12.5)\sim 1560$
Insertion Loss (Typ.)	dB	1.5
Insertion Loss (Max.)	dB	1.8
Adjacent Channel Isolation	dB	$\geq 30$
Non-adjacent Channel Isolation	dB	$\geq 45$
Passband Ripple	dB	$\leq 0.30$
Return Loss	dB	$\geq 45$
Polarization Mode Dispersion (PMD)	ps	$\leq 0.20$
Polarization Dependent Loss (PDL)	dB	$\leq 0.15$
Power Handling	mW	<500
Connector Type	-	LC/UPC
Operation Temperature	°C	-20 ~ +85
Storage Temperature	°C	-40 ~ +85
Package Dimension	mm	LGX Box: 215*200*20mm

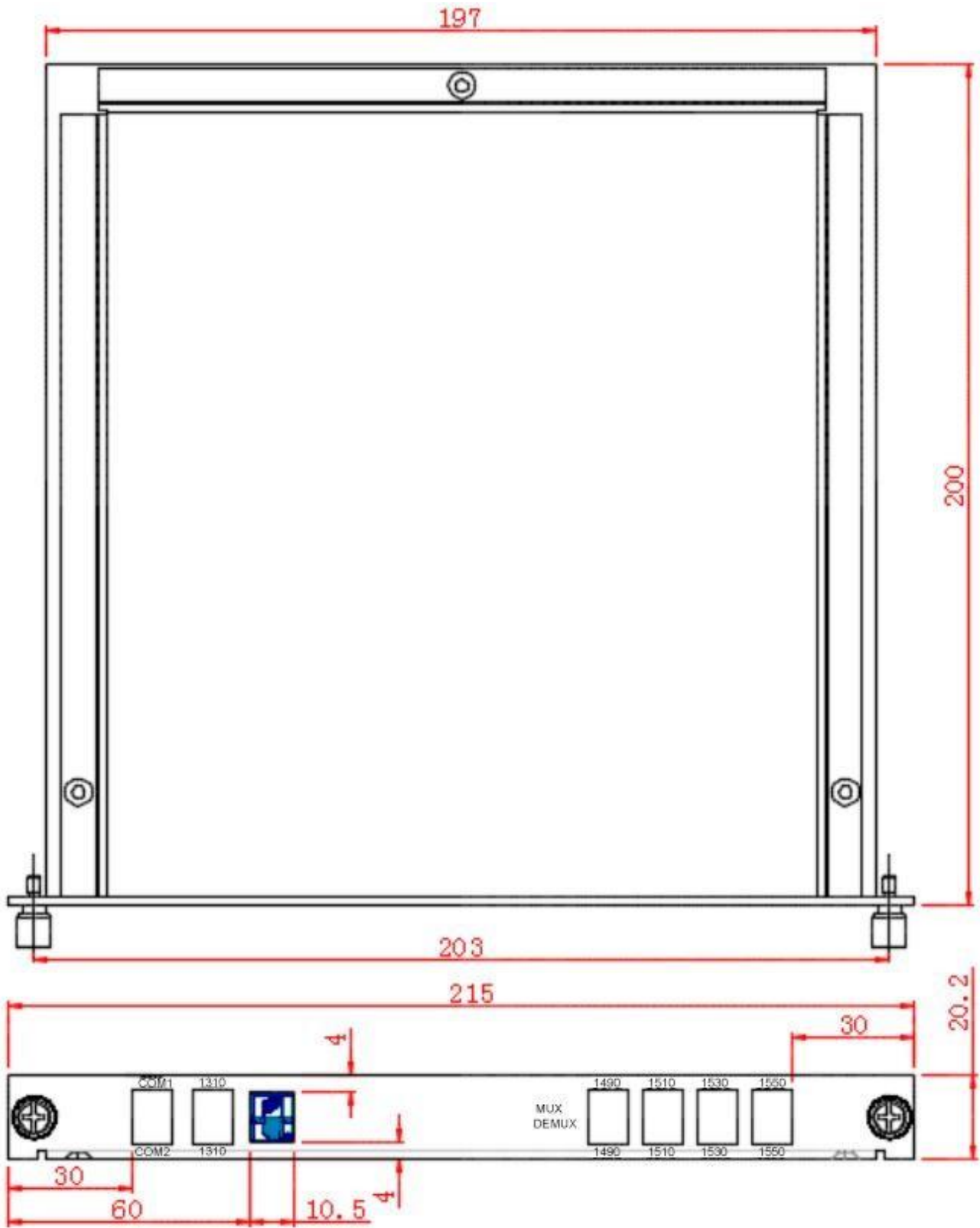
Note: The above parameter is without connector. If with connector, IL will increase by 0.3dB.

### 3. Optical Path Diagram



Part Number	Mux Port	Demux Port
NCWDM-04-MD-49-LGX-1310	1490nm	1550nm
	1510nm	1530nm
	1530nm	1510nm
	1550nm	1490nm

#### 4. Outline Drawing:



## 5. Label Diagram:



## 6. Test Report:

The test report should be provided when the products are delivered. Following characteristic test data should be included:

- Insertion Loss (Port1-Port8)
- Adjacent Channel Isolation
- Isolation
- PDL

## 7. Packaging:

Following items should be indicated on the outer packaging surface:

Product Name

Product Number

Serial Number (SN bar code)

